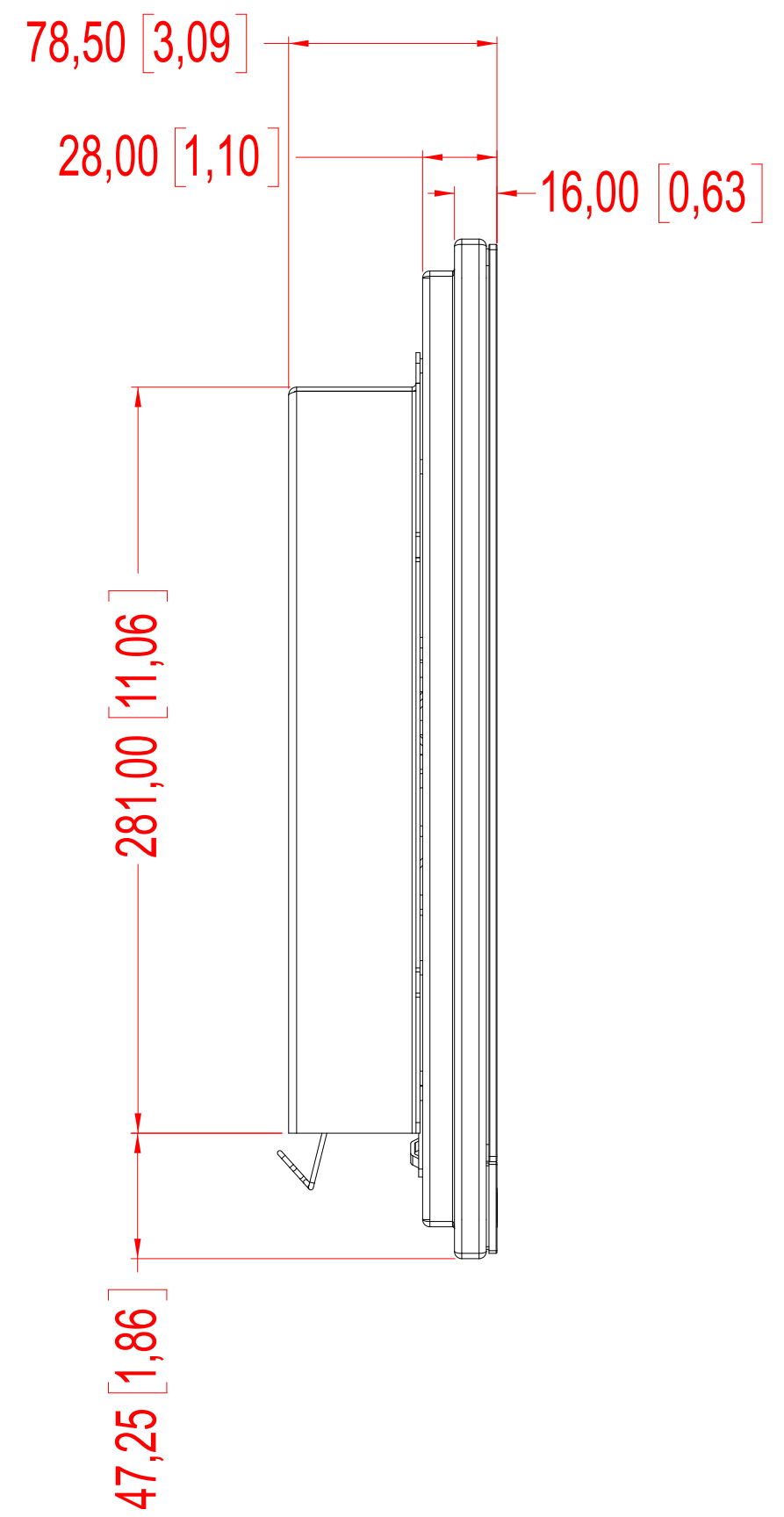


This document is the property of Hatteland Technology AS.  
 This document and any authorized reproduction thereof, must not be used in  
 any way against the interest of Hatteland Technology AS.  
 Any authorized reproduction, in whole or in part, must include this legend.

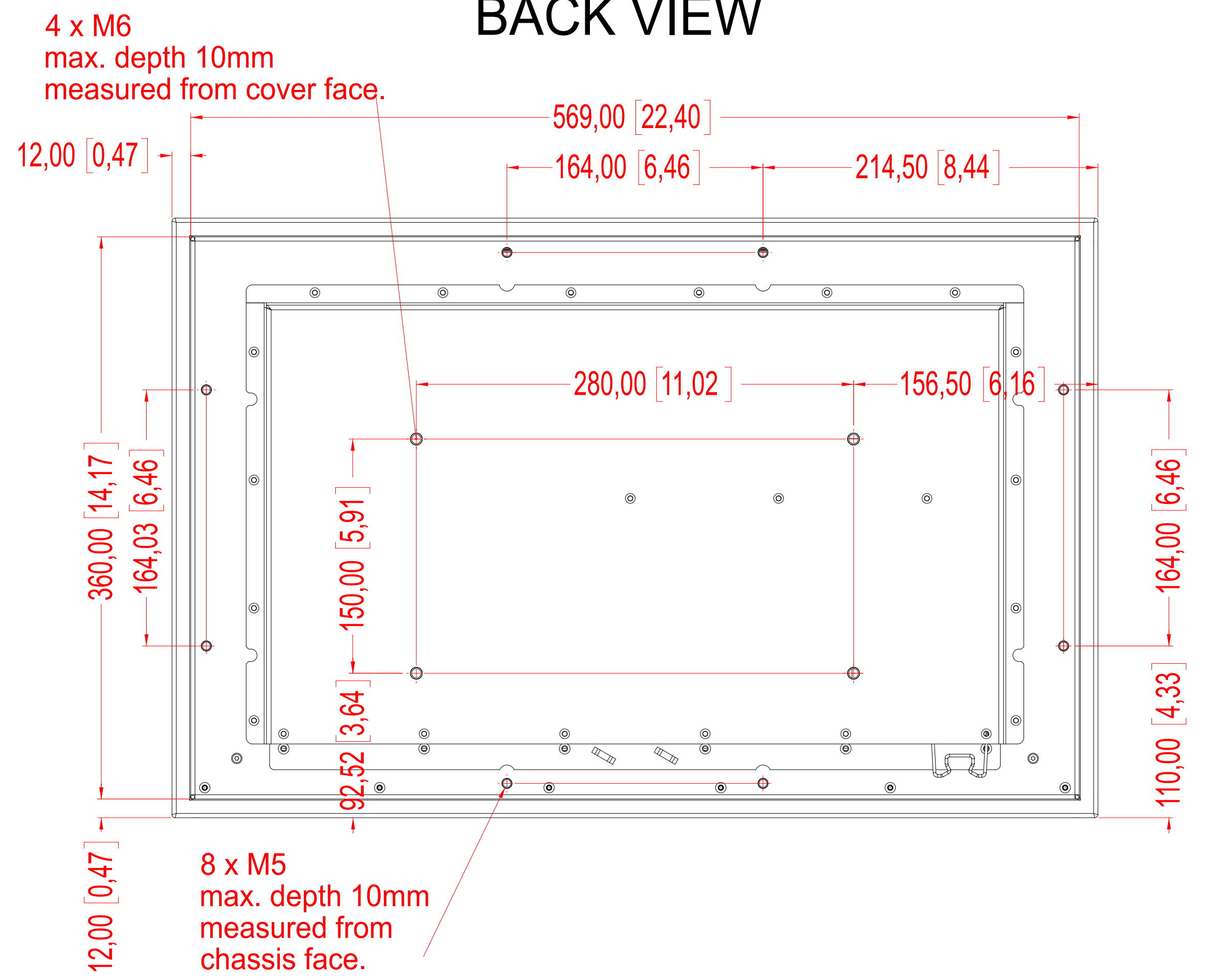
### FRONT VIEW



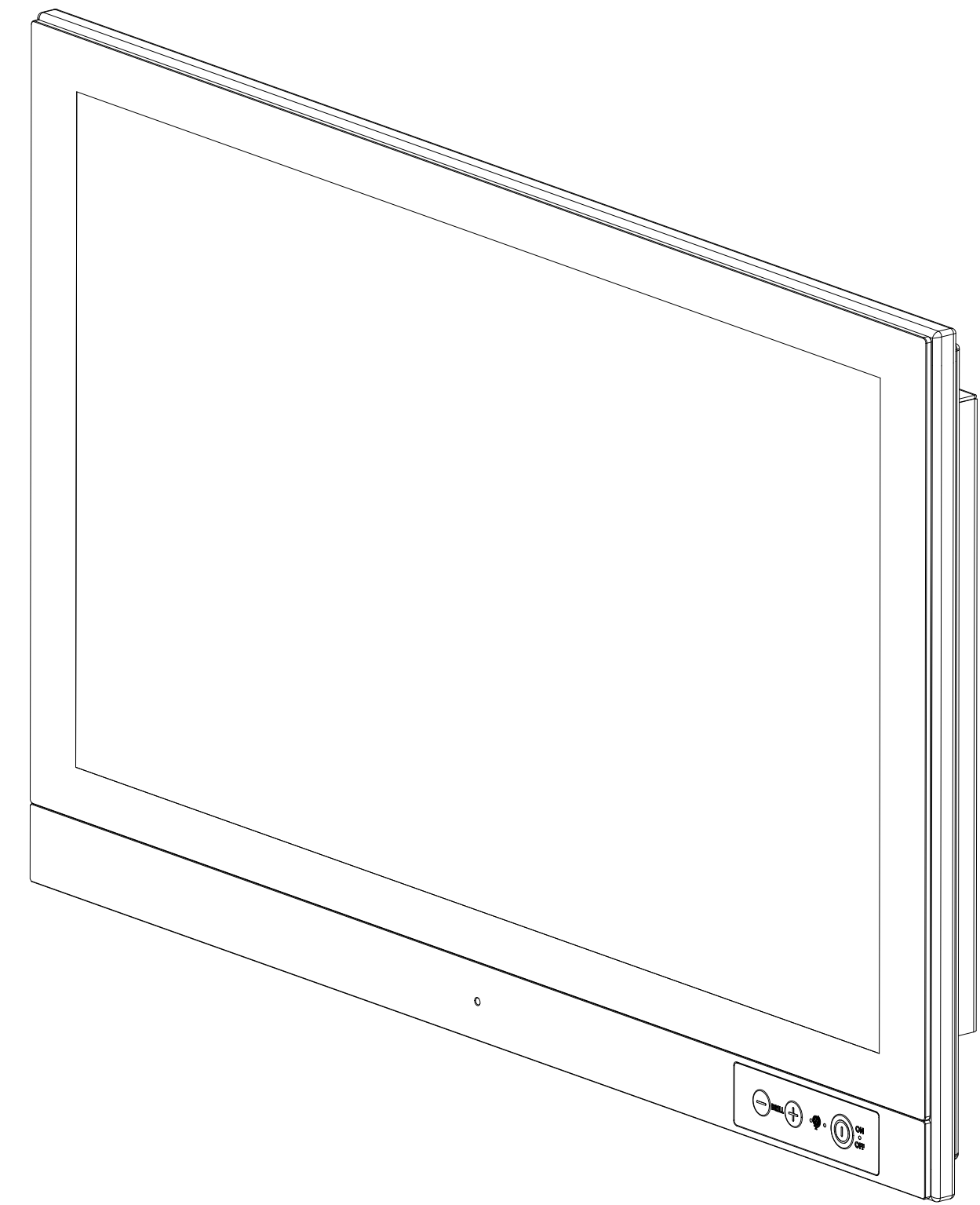
### SIDE VIEW



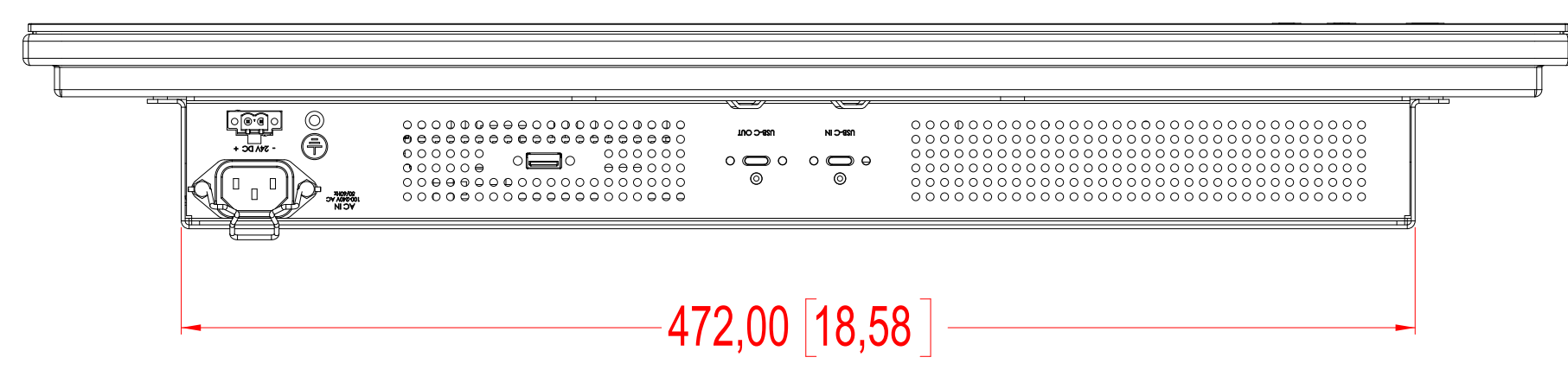
### BACK VIEW



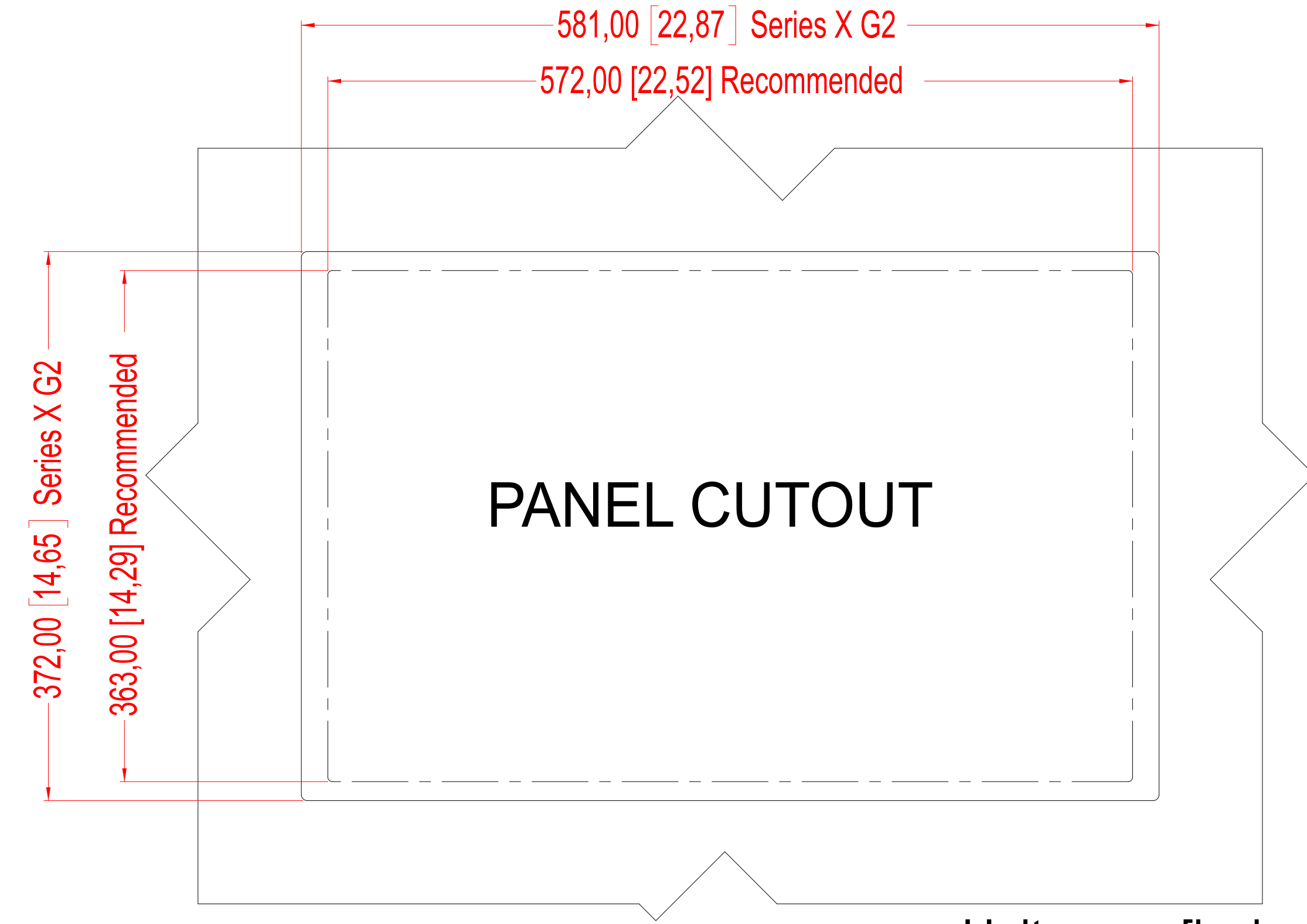
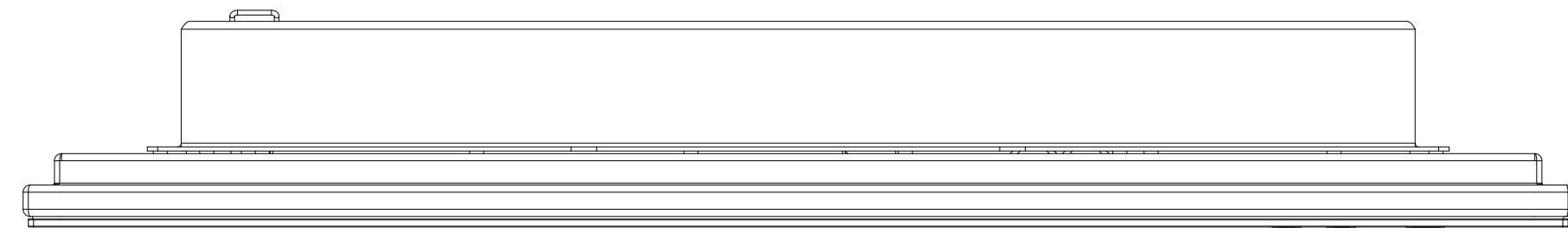
### ISOMETRIC VIEW



### BOTTOM VIEW



### TOP VIEW



Units: mm [inches]

**SALES DRAWING HD 24T30 SCM-JA1-EAEA**  
 shown in this drawing, but measurements generally apply for all HD 24T30 SCM-xxx-xxxx models

Creation date / by:	/ /	Projection:	A1	<b>HATTELAND TECHNOLOGY</b> an EMBRON Company
Last rev. date / by:	/ /		Scale: 1:2	Approved by: _____ Revision: 01
Hatteland Technology AS Eikeskogvegen 52 N-5570 Akedal			ISO 2768-mK	Drawing number: <b>A012765</b>